

Stock Code: 6756

VIA Labs, Inc.

Investor Conference

2025-05



VIA Labs, Inc.

Disclaimer Statement

This presentation contains some forward-looking statements that may differ from those indicated by these statements as a result of various factors and uncertainties. You should consider these forward looking statements carefully because such statements are only our expectations or projections about future events.

The forward looking statements in this presentation including, but are not limited to, growth rates for various markets estimated by third party, future products and technology development, future revenue growth and profitability. The information in this presentation only reflects the prospect that VIA Labs, Inc. (the Company) expects up to now and the Company neither declares, either explicitly or implicitly, nor guarantees its correctness, completeness or reliability. Except as required by law, the Company does not undertake any obligation to publicly update any forward-looking statement to reflect events or circumstances after the date on which any such statement is made or to reflect the occurrence of unanticipated events.

Agenda

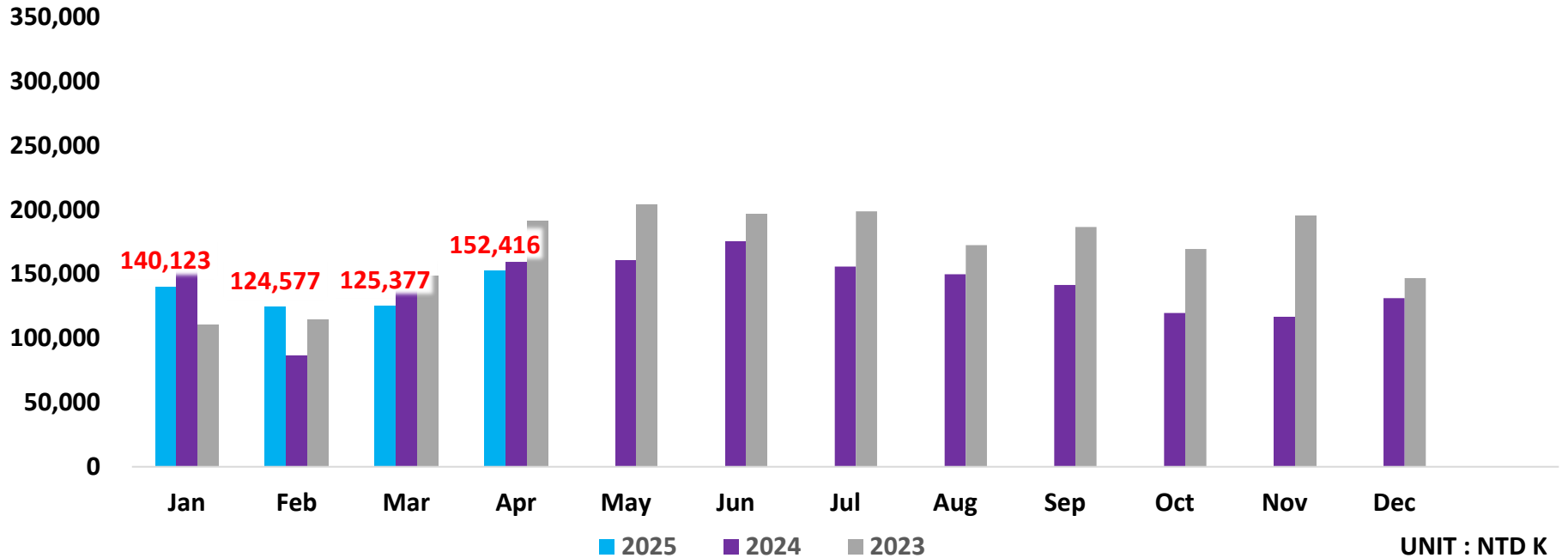
- **Operations Overview**
- **Market Overview and New Product Introduction**



OPERATIONS OVERVIEW

Y2023 – 2025Q1 Revenue

UNIT:NTD K



UNIT : NTD K

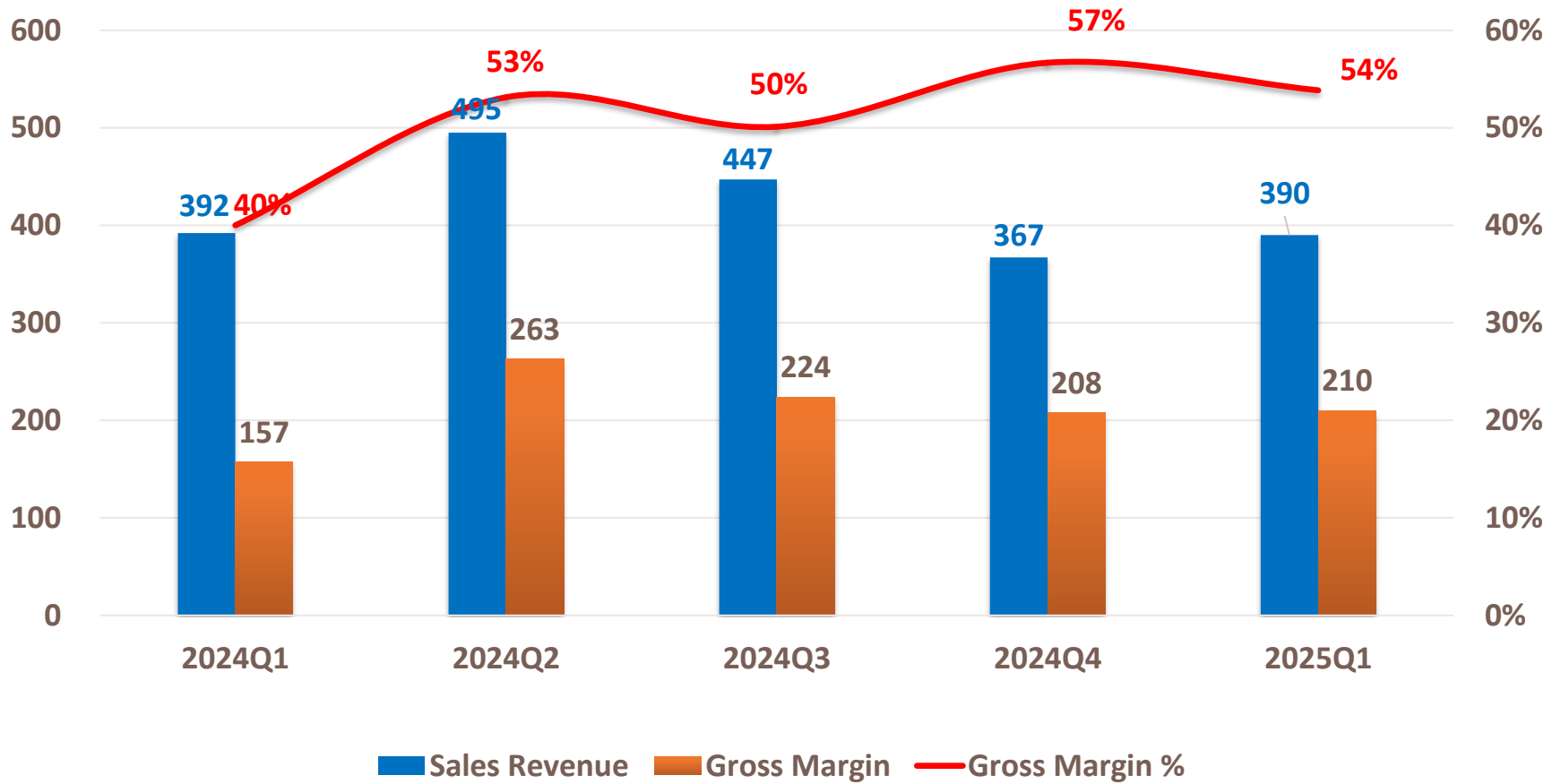
Year	Jan	Feb	Mar	Apr	May	Jun	Jul	Aug	Sep	Oct	Nov	Dec	Total
2025	140,123	124,577	125,377	152,416									542,493
2024	168,405	86,319	136,937	159,331	160,442	175,255	155,634	149,810	141,317	119,518	116,281	131,061	1,700,310
2023	110,765	114,752	148,514	191,346	203,819	196,626	198,753	172,422	186,446	169,502	195,476	146,682	2,035,103
年成長%	(17%)	44%	(8%)	(4%)									(1.5%)
累積成長%	(17%)	4%	(0.4%)	(1.5%)									

Income Statement for the Three Months Ended Mar 31, 2025

NT\$ In Thousands	For the three months ended Mar 31 2025	%	For the three months ended Dec 31 2024	%	QoQ%	For the three months ended Mar 31 2024	%	YoY%
Net Sales	\$ 390,077	100%	\$ 366,860	100%	6%	\$ 391,661	100%	-
Cost of Sales	<u>179,585</u>	46%	<u>159,177</u>	43%	13%	<u>235,096</u>	60%	(24%)
Gross Profit	210,492	54%	207,683	57%	1%	156,565	40%	34%
Operating Expenses	<u>218,712</u>	56%	<u>235,171</u>	64%	(7%)	<u>190,984</u>	49%	15%
Operating Income	(8,220)	(2%)	(27,488)	(7%)	70%	(34,419)	(9%)	76%
Non-operating Items	<u>20,592</u>	5%	<u>62,454</u>	14%	(67%)	<u>87,906</u>	23%	(77%)
Income Before Tax	12,372	3%	34,966	10%	(65%)	53,487	14%	(77%)
Income Tax	<u>1,379</u>	-	<u>13,932</u>	4%	(90%)	<u>2,491</u>	1%	(45%)
Net Income	\$ <u>10,993</u>	3%	\$ <u>21,034</u>	6%	(48%)	\$ <u>50,996</u>	13%	(78%)
Net Income Attribute to owner company	<u>\$16,025</u>	4%	<u>\$24,482</u>	7%	(35%)	<u>\$50,996</u>	13%	(69%)
EPS (NTD)	\$ <u>0.23</u>		\$ <u>0.35</u>		(34%)	\$ <u>0.73</u>		(68%)

5 Quarters Operating Results-Revenue and GM%

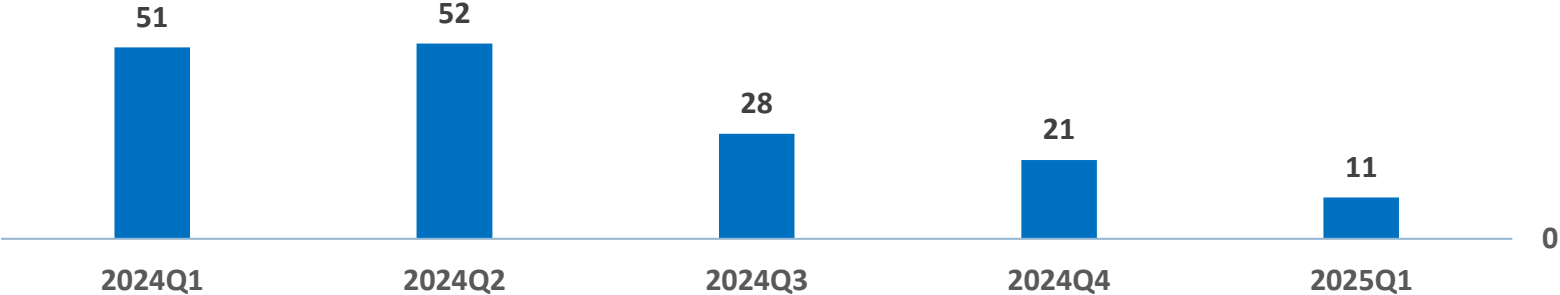
Unit : NTD Million



5 Quarters Operating Results-N/I and EPS

Unit : NTD million

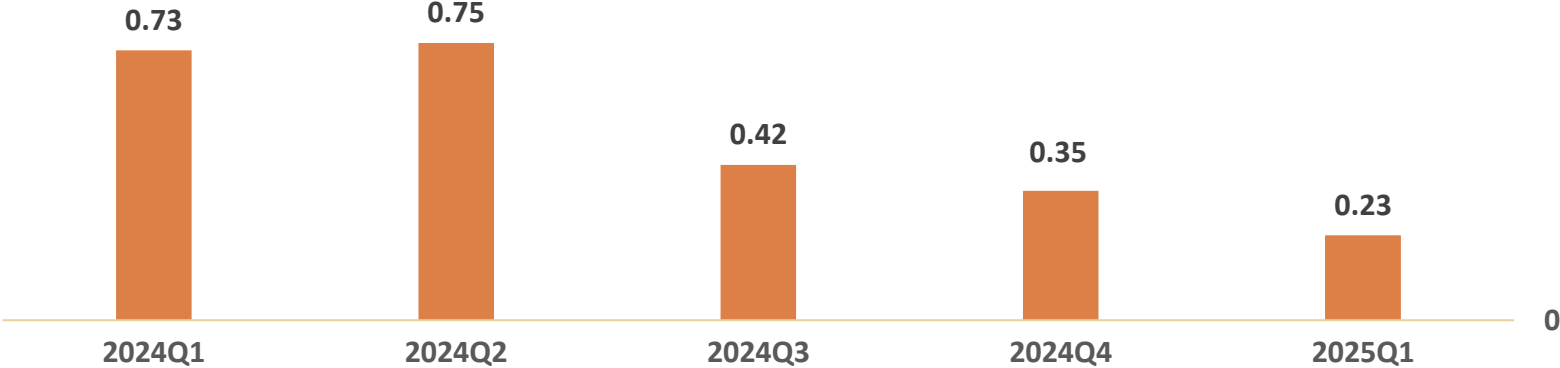
100



Unit: NTD dollar

■ Net Income

1



■ EPS

0



MARKET OVERVIEW
NEW PRODUCT INTRODUCTION

USB4-Capable Integrated Host Platforms

Intel

Tiger Lake ~ Sept 2020

- ❖ 11th Gen Intel Core

Alder Lake ~ Oct 2021

- ❖ 12th Gen Intel Core

Raptor Lake ~ Jan 2023

- ❖ 13th/14th Gen Intel Core

Meteor Lake ~ Dec 2023

- ❖ Core Ultra 1

Lunar Lake ~ Sep 2024

- ❖ Core Ultra 2

Arrow Lake ~ Oct 2024

- ❖ Core Ultra 2

AMD

Ryzen 6000 Series Mobile ~ Feb 2022

- ❖ "Rembrandt"

Ryzen 7000 Series Mobile ~ May 2023

- ❖ "Phoenix"

Ryzen 8000 Series Mobile ~ Dec 2023

- ❖ "Hawk Point"

Ryzen AI 300 series ~ July 2024

- ❖ "Strix Point"

Ryzen 9000 series

- ❖ Granite Ridge ~ July 2024

Qualcomm

Snapdragon X Elite ~ Announced Oct 2023

Snapdragon X Plus ~ Sep 2024

APPLE

M1 Family

- ❖ M1 ~ Nov 2020
 - ❖ MacBook Air
 - ❖ Mac Mini
 - ❖ MacBook Pro 13-Inch
 - ❖ iMac
 - ❖ iPad Pro
- ❖ M1 Pro ~ Oct 2021
 - ❖ MacBook Pro (14-Inch/16-Inch)
- ❖ M1 Max ~ Oct 2021
 - ❖ MacBook Pro (14-Inch/16-Inch)
 - ❖ Mac Studio
- ❖ M1 Ultra ~ Mar 2022
 - ❖ Mac Studio

M2 Family

- ❖ M2 ~ June 2022
 - ❖ MacBook Air
 - ❖ MacBook Pro 13-Inch
 - ❖ iPad Pro
 - ❖ Mac Mini
- ❖ M2 Pro ~ Jan 2023
 - ❖ MacBook Pro (14-Inch/16-Inch)
 - ❖ Mac Mini
- ❖ M2 Max ~ Jan 2021
 - ❖ MacBook Pro (14-Inch/16-Inch)
- ❖ M2 Ultra
 - ❖ Mac Pro

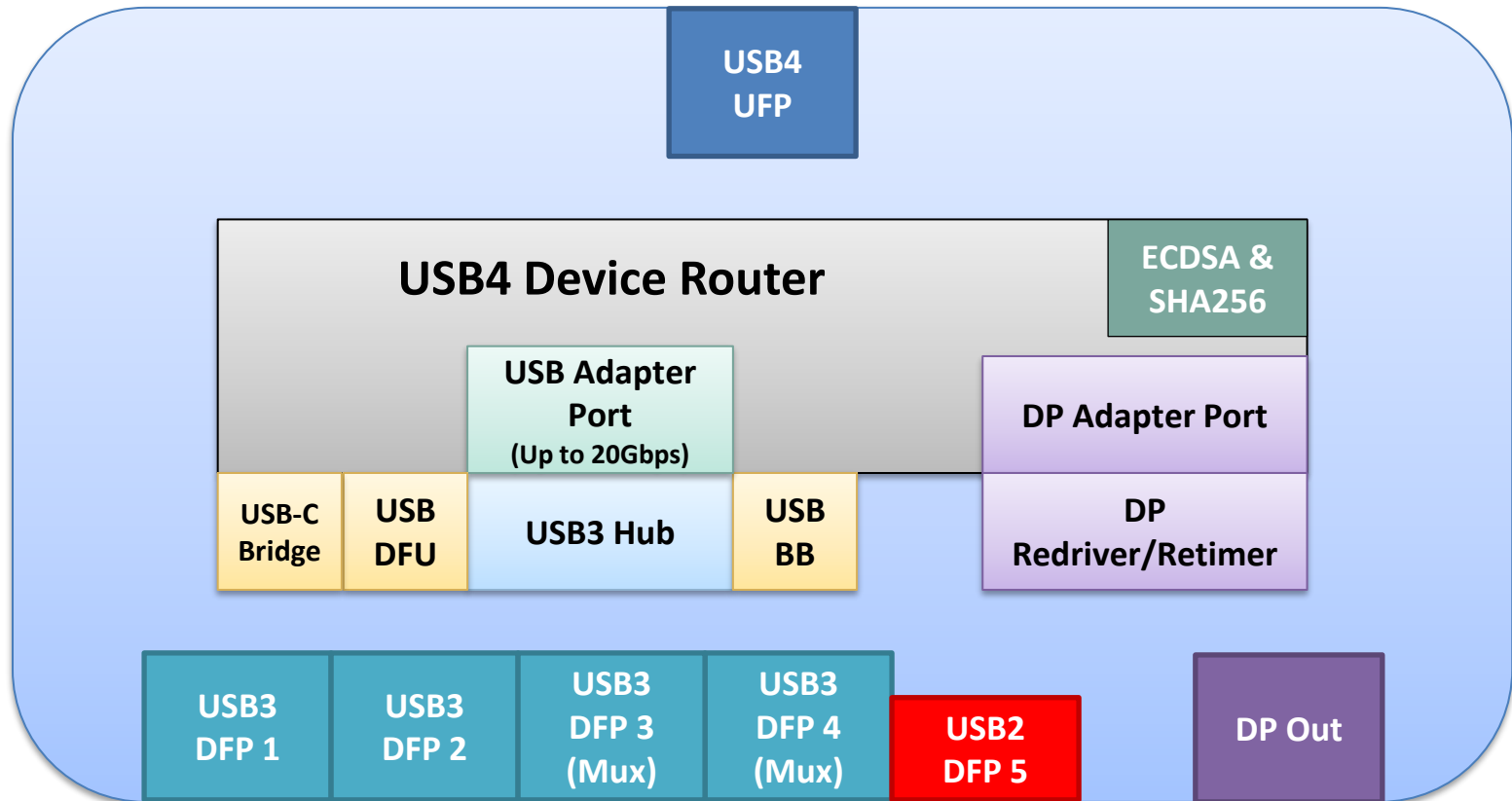
M3 Family

- ❖ iMac
- ❖ M3 ~ Oct 2023
 - ❖ MacBook Air
 - ❖ MacBook Pro 14-Inch
 - ❖ iPad Air *2025.3
- ❖ M3 Pro ~ Oct 2023
 - ❖ MacBook Pro (14-Inch/16-Inch)
- ❖ M3 Max ~ Oct 2023
 - ❖ MacBook Pro (14-Inch/16-Inch)
- ❖ M3 Ultra
 - ❖ Mac Studio

M4 Family

- ❖ M4 ~ May 2024
 - ❖ iPad Pro (11-Inch/13-Inch)
 - ❖ iMac
 - ❖ Mac mini
 - ❖ MacBook Pro (14-inch)
 - ❖ MacBook Air
- ❖ M4 Pro ~ Oct 2024
 - ❖ Mac mini
 - ❖ MacBook Pro (14-inch/16-inch)
- ❖ M4 Max ~ Oct 2024
 - ❖ MacBook Pro (14-inch/16-inch)
 - ❖ Mac Studio

VL832 USB4 Endpoint Device



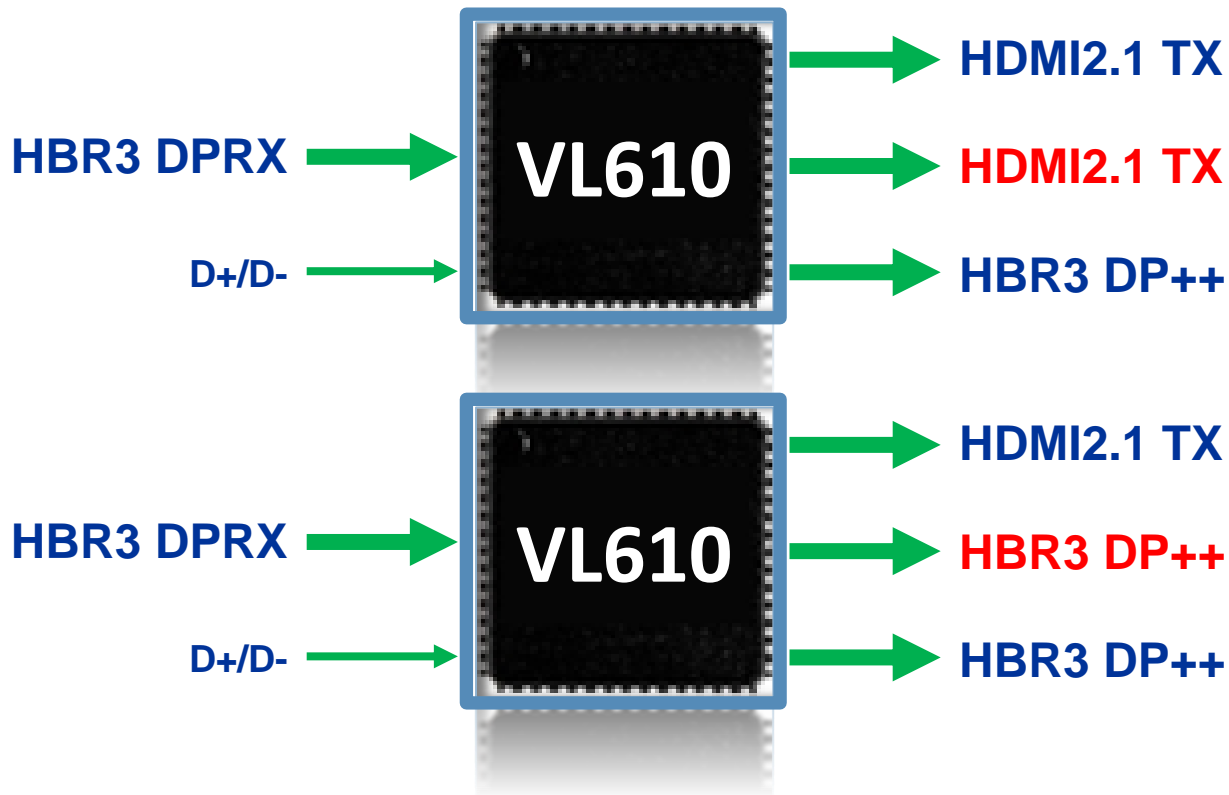
VL832 is USB4 Certified

New Product Highlights

- **Industrial/wide temperature USB Hubs in 2H**
 - VL122i: USB2.0 Hub; newest spec and lower power
 - VL822Ti: USB3.2 10Gb Hub; 28nm, ultra low suspend power
- **New USB3.2 10Gb Hub in Q4**
 - VL823: support 2C2A with built-in CC logic and data Mux; lower power (<1W)
- **New 4:6 USB-C DP Alt-mode Mux for Monitor applications**
 - VL172: support DP alt-mode pin #E (DP-to-USBC cable), enhancement for current VL171
- **New DP2.1 HBR3 MST Hub ES in Q4**
 - VL610: DP MST Hub with 3 video outputs



VL610 DP2.1 HBR3 MST Hub



- VL610 one chip with two configurations
- 8K60 x1, or 4K120/144 x2, or 4K60 x3
- QFN100 10x10mm

Booming Gaming Handhelds

Valve
Steam Deck



Lenovo
Legion Go



ASUS
ROG Ally



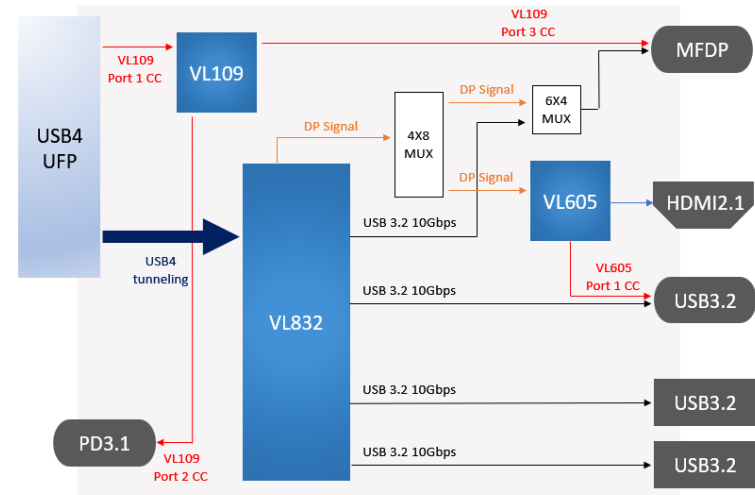
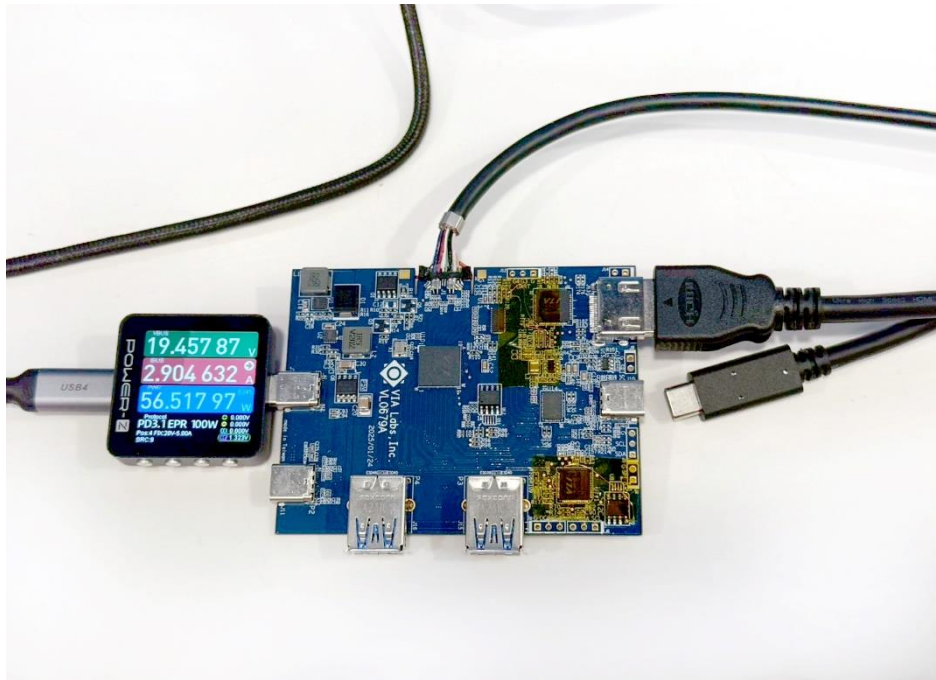
MSI
Claw



Acer
Nitro Blaze



VLI Gaming Dock Reference Design



- VL832 + VL109 + VL605
- Meet 2027 EU EUP/ERP Regulation (idle 10mW vs 300mW spec)
- Up to 4K@240; selectable either HDMI or USB-C
- Comprehensive VRR support (Variable Refresh Rate)

VL605 Supports Multi-Platform VRR

- Intel VESA Adaptive-Sync/AMD FreeSync to HDMI VRR
- nVidia G-Sync Compatible to HDMI VRR
- **VLI OUI is added into AMD graphic driver in Feb/25' release**



VL605 VRR Disabled



VL605 VRR Enabled

Execution & Business Focus for Year 2025

- **Product quality Improvement**
 - Target at 100% design verifications
 - A solid design can save NRE; relax testing/production efforts; Time to Market
 - Low power design and wide temperature coverage
- **Seeking for more device and system platform business opportunity**
- **Customization service**



Q&A